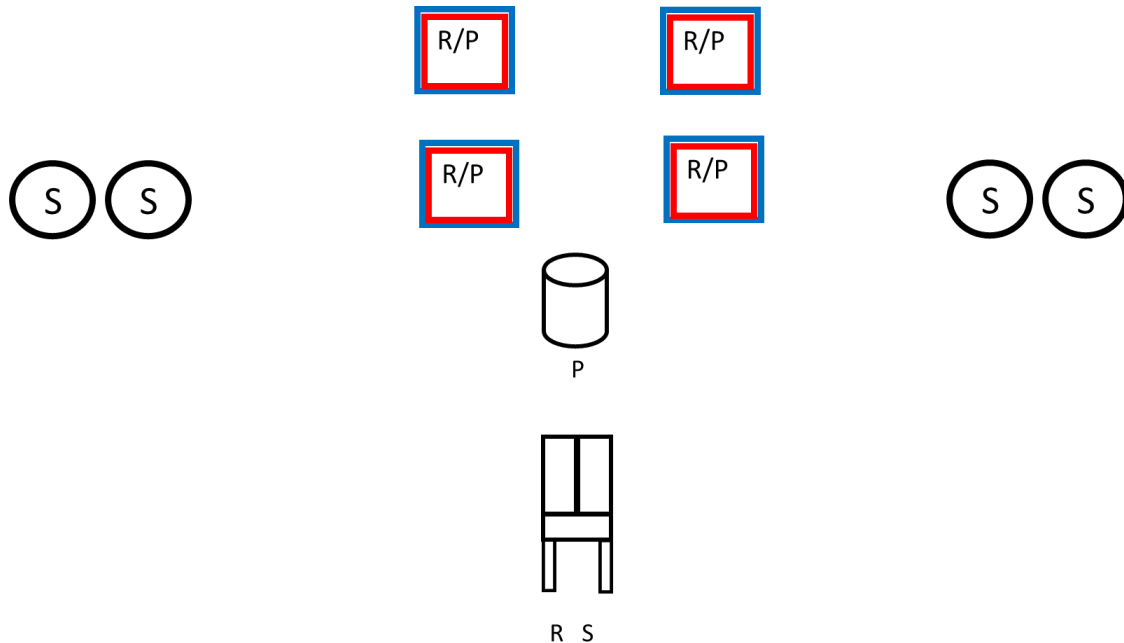


STAGE 3 – CWBY

Sep 2022 Bay D



GUNS & AMMO: CWBY

PISTOL – 10

RIFLE – 10

SHOTGUN (SG) – 4+

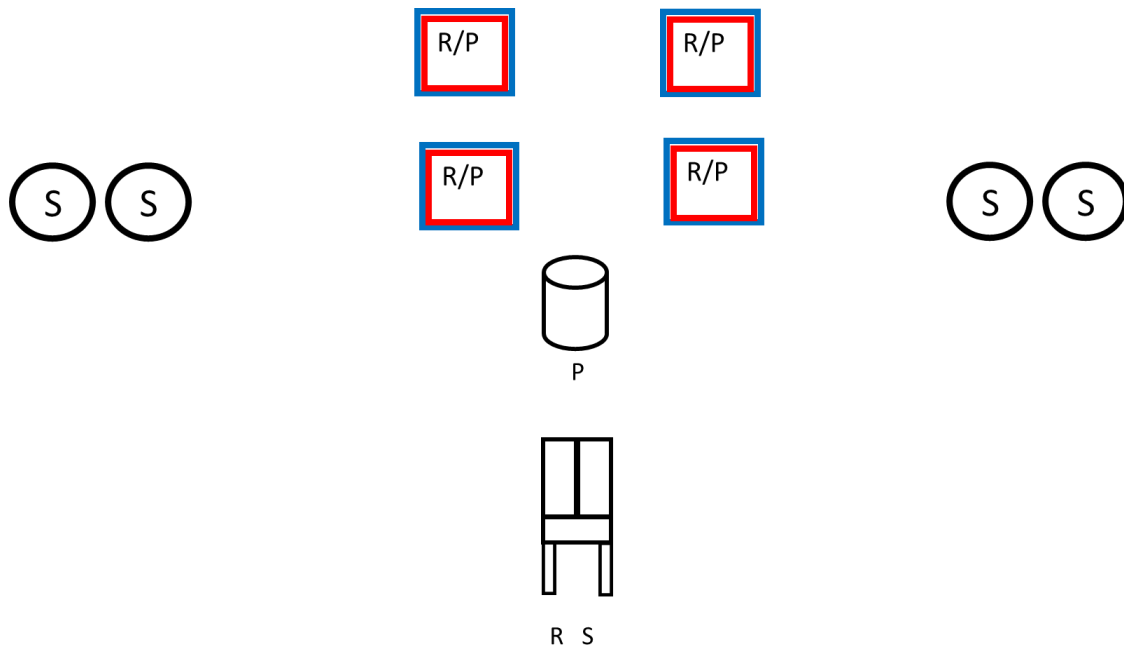
- ALL FIREARMS WITH HAMMER DOWN ON EMPTY CHAMBER

SHOOTING SEQUENCE: S – R – P – P

STARTING POSITION: SHOOTER STARTS BEHIND STAND, ONE HAND ON STAND.

ATB: PICK UP SG AND SHOOT THE 4 SG POPPERS. MAKE SG SAFE ON STAND. PICK UP RIFLE AND SHOOT THE RIFLE TARGETS AS FOLLOWS: 3-3-2-2 IN CLOCKWISE DIRECTION START WITH SHOOTERS CHOICE OF TARGET. MAKE RIFLE SAFE ON STAND. MOVE TO CENTER BARREL AND SHOOT PISTOL TARGETS SAME SEQUENCE AS RIFLE. HOLSTER PISTOLS.

STAGE 3 – WB



GUNS & AMMO: WB

PISTOL – 10 (2 MAGS OF 5)

RIFLE – 10

SG - 4

- ALL FIREARMS WITH HAMMER DOWN ON EMPTY CHAMBER

SHOOTING SEQUENCE: S – R – P – P

STARTING POSITION: SHOOTER STARTS BEHIND STAND, ONE HAND ON STAND.

ATB: PICK UP SG AND SHOOT THE 4 SG POPPERS. MAKE SG SAFE ON STAND. PICK UP RIFLE AND SHOOT THE RIFLE TARGETS AS FOLLOWS: 3-3-2-2 IN CLOCKWISE DIRECTION START WITH SHOOTERS CHOICE OF TARGET. MAKE RIFLE SAFE ON STAND. MOVE TO CENTER BARREL AND SHOOT PISTOL TARGETS SAME SEQUENCE AS RIFLE.

SHOW PISTOL CLEAR TO R.O.