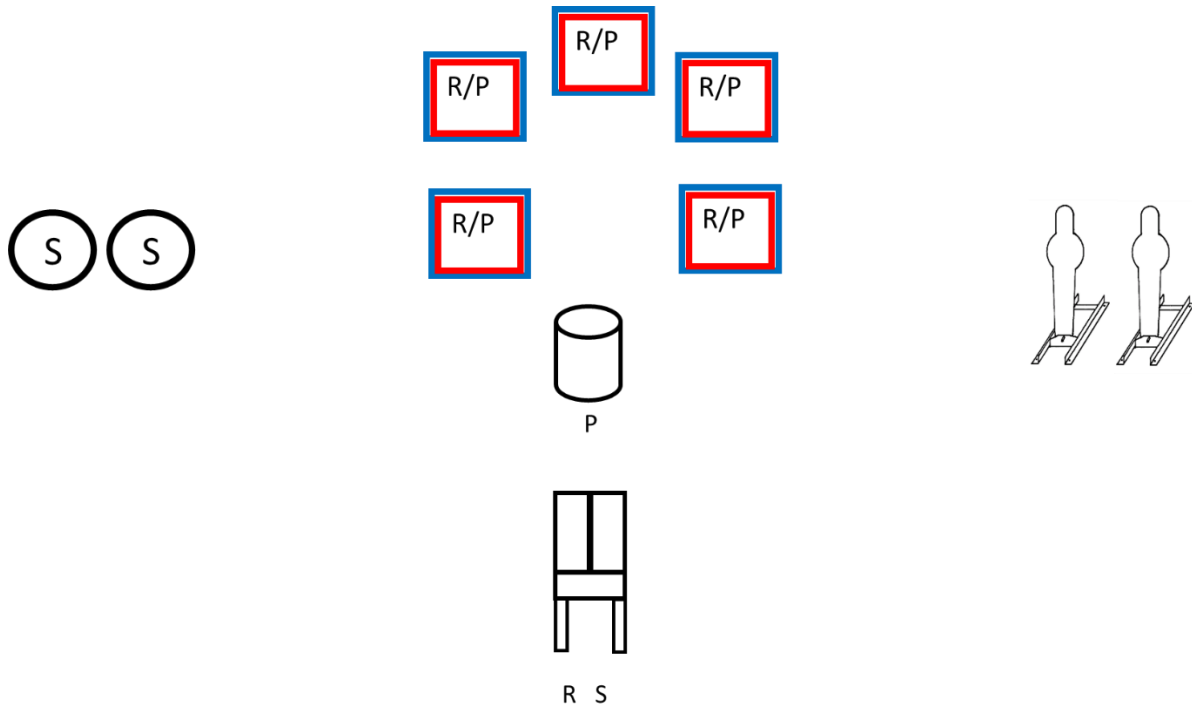


STAGE 2 – CWBY

Sep 2023 Bay D



GUNS & AMMO: CWBY

PISTOL – 10

RIFLE – 10

SHOTGUN (SG) – 4+

- ALL FIREARMS WITH HAMMER DOWN ON EMPTY CHAMBER

SHOOTING SEQUENCE: S – R – P – P

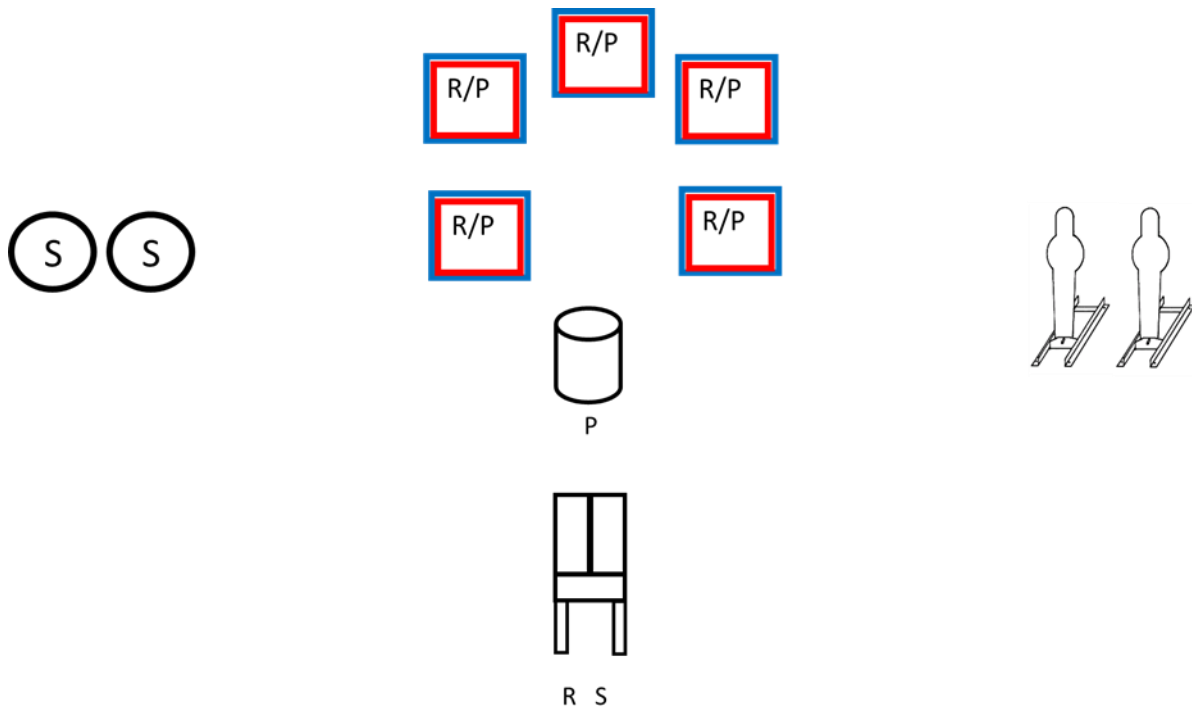
STARTING POSITION: SHOOTER STARTS BEHIND STAND, ONE HAND ON STAND.

ATB: PICK UP SG AND SHOOT THE 2 SG POPPERS and 2 SG KNCKDWNS. MAKE SG SAFE ON STAND. PICK UP RIFLE AND SHOOT THE RIFLE TARGETS AS FOLLOWS: DOUBLE TAP EACH TARGET IN A CLK WISE STARTING FROM TOP POSITION 12 O’CLK. MAKE RIFLE SAFE ON STAND. MOVE TO CENTER BARREL AND SHOOT PISTOL TARGETS SAME AS RIFLE. HOLSTER PISTOLS.

Targets: Rifle 5 Sq 1 cwby, SG 2 Rnd & 2 Knckdwn Targets

Two Extra targets to weigh down stand.

STAGE 2 – WB



GUNS & AMMO: WB

PISTOL – 10 (2 MAGS OF 5)

RIFLE – 10

SG - 4

- ALL FIREARMS WITH HAMMER DOWN ON EMPTY CHAMBER

SHOOTING SEQUENCE: S – R – P

STARTING POSITION: SHOOTER STARTS BEHIND STAND, ONE HAND ON STAND.

ATB: PICK UP SG AND SHOOT THE 2 SG POPPERS and 2 SG KNCKDWNS. MAKE SG SAFE ON STAND. PICK UP RIFLE AND SHOOT THE RIFLE TARGETS AS FOLLOWS: DOUBLE TAP EACH TARGET IN A CLK WISE STARTING FROM TOP POSITION 12 O'CLK. MAKE RIFLE SAFE ON STAND. MOVE TO CENTER BARREL AND SHOOT PISTOL TARGETS SAME AS RIFLE.

SHOW PISTOL CLEAR TO R.O.